

TRIPOD SAFETY COUPLER

Riser Pullaway Tripod

The Tripod prevents the escape of NH₃ at the tilling riser area in the event of an accidental pullaway of the nurse tank. Double back check permits closure in both sections of the coupler, minimizing NH₃ release at the riser and the nurse tank.

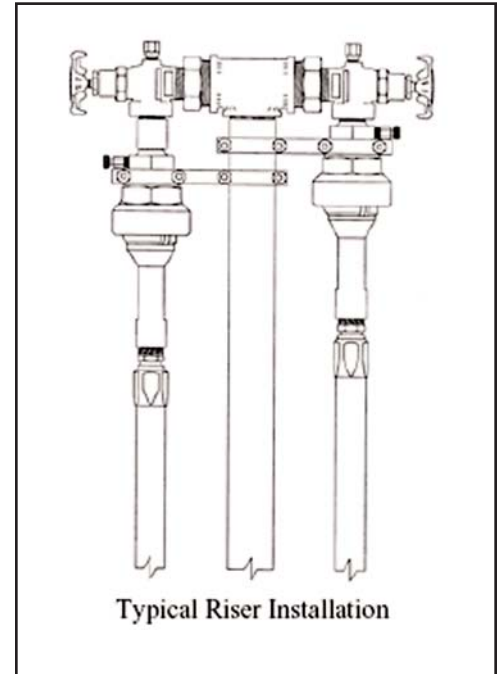
Release mechanism unaffected by a pullaway, easily reconnected for years of continued service.

Stainless steel construction throughout the TFE back check seats for long, dependable operation.

Adapts to most existing risers without the need for piping changes.

Independent protection of each hose, not sensitive to the direction of the pullaway.

Proven reliability for over 10 years.



Part Number	Inlet	Outlet	Capacity
113051	1" MNPT	1" MNPT	55 gpm
113056	1" MNPT	1" MNPT	77 gpm
113059	1-1/4" MNPT	1-1/4" MNPT	126 gpm

Bulkhead Pullaway Tripods and Tripin Assembly

The Bulkhead Tripod is designed to provide pullaway protection for the bud plant and transport unloading bulkhead. Double back check permits closer in both sections of the coupler, minimizing NH₃ release at the bulk plant and the transport.

Release mechanism unaffected by a pullaway, easily reconnected for years of continued service.

Stainless steel construction throughout and TFE back check seats for long, dependable operation.

Part Number	Inlet	Outlet	Capacity
113053	1" MNPT	1" MNPT	55 gpm
113054	1" MNPT	1" MNPT	77 gpm
113061	1-1/4" MNPT	1-1/4" MNPT	126 gpm
113065	3" MNPT x 2" FNPT	3" MNPT x 2" FNPT	350 gpm

