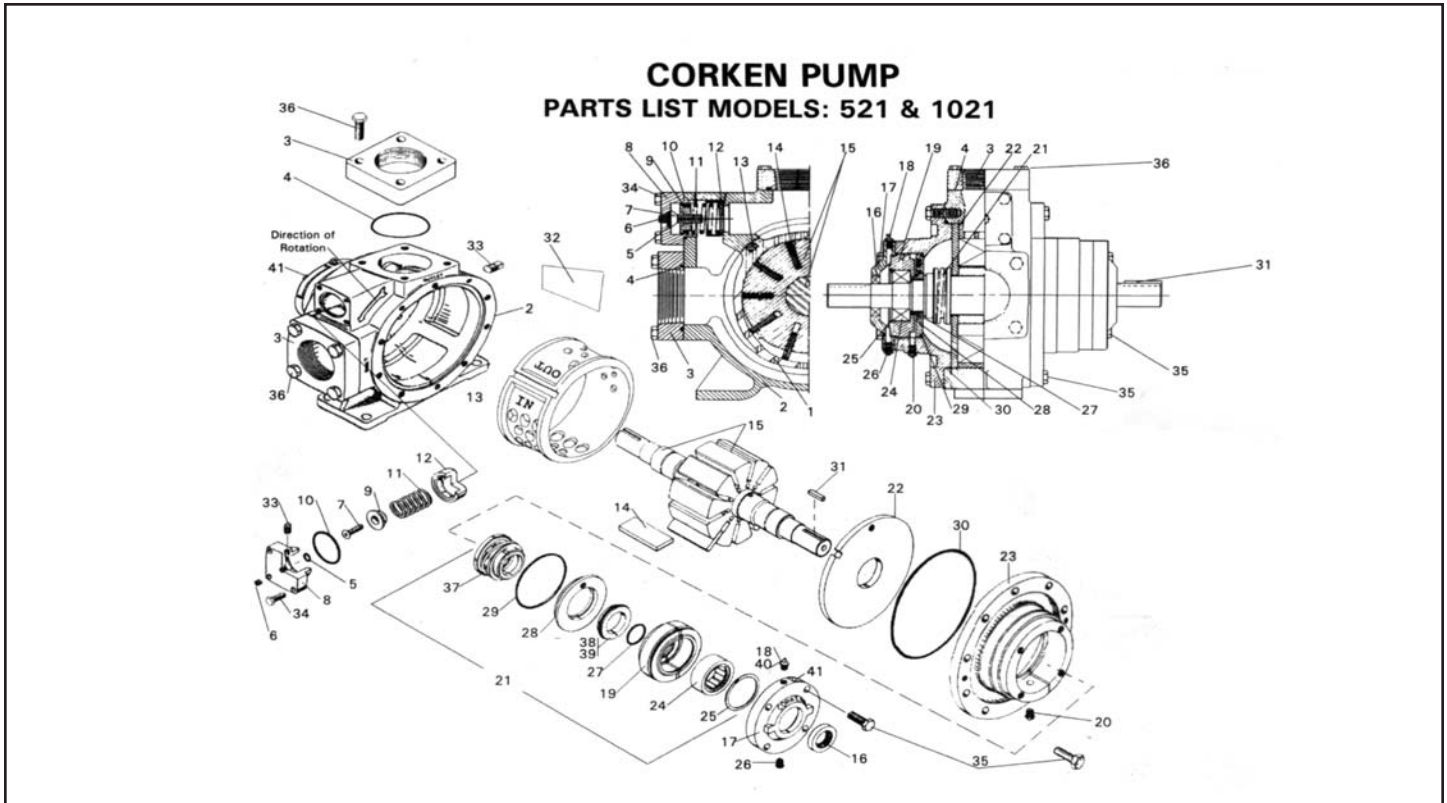


CORKEN PUMP REPAIR PARTS



Ref. No.	Description	521 Part No.	1021 Part No.	Ref. No.	Description	521 Part No.	1021 Part No.
1	Cam	C1162-2	C1201-2	21	Seal Assy. Less Bearing	C1768XRA*	C1769XRA*
2	Case	C2832	C2841	22	Side Plate	C1163-2*	C1209-1*
3	Flange	C1172-2-1/2	C1206-3	23	Head	C1161-2	C1205-1
4	Flange O-Ring	C2-234A*	C2-245A*	24	Roller Bearing Complete	C2754X*	C2754X*
5	Adjusting Screw O-Ring	C2-112	C2-112*	25	Retainer Ring	C2760-244	C2760-244
6	1/8 Flush Seal Plug	C2590	C2590	26	Relief Fitting	C1343	C1343
7	Relief Valve Adjusting Screw	C2252	C2252	27	Shaft O-Ring	C2-128A	C2-128A
8	Valve Cap	C1174	C1207	28	Seat Adaptor Plate	C1822	C1822
9	Relief Valve Spring Guide	C1242	C1227	29	Adaptor Plate O-Ring	C2-240A	C2-240A
10	Relief Valve Cap O-Ring	C2-224A*	C2-228A*	30	Case O-Ring	C2-261A*	C2-268A*
11	Relief Valve Spring	C1240	C1226	31	Key	C2270	C2270
12	Relief Valve	C1241	C1224	32	Name Plate	C2649	C2649
13	Cam Key	C1170	C1309	33	NPT Plug	-	-
14	Blade (NH3)	C1168-7(10)*	C1308-9(10)*	34	Retainer Assembly	C2697-X	C2697-X
15	Rotor and Shaft Assy. w/ C2755	C1166-1X1R	C1208-1X1R	35	Disc	C2700	C2700
16	Grease Seal	C1358*	C1358	36	Rotor O-Ring	C2-223A	C2-223A
17	Bearing Cap	C1164-1	C1164-1	37	Rotor	C2696	C2696
18	Grease Zerk	C2158	C2158	38	Seat O-Ring	C2-227A	C2-227A
19	Bearing Housing	C1769	C1769	39	Seat	C2695	C2695
20	Relief Fitting (Seal Vent)	C1343	C1343		Pump Repair Kit	C2904-X2	C2906-X2
* Items Included in Repair Kit				* Items Included in Repair Kit			