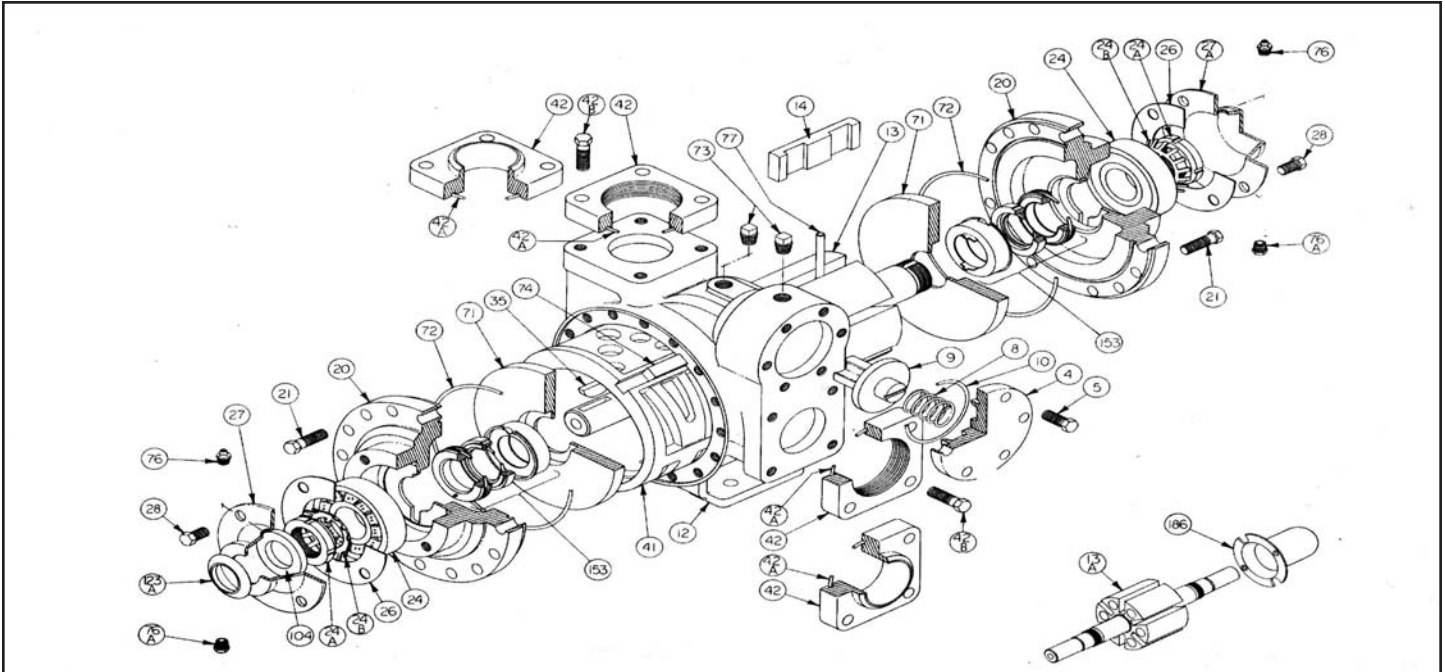


# BLACKMER PUMP REPAIR PARTS

## Pump Parts List LFLD2E, LGLD3E

This list also includes DISCONTINUED MODELS: LGL2E, TLGLD2E, LGL3E, TLGLD3E



Ref. No.	Description	Parts/ Pump	Size2 Part No.	Size 3 Part No.	Ref. No.	Description	Parts/ Pump	Size2 Part No.	Size3 Part No.
4	Cover - Relief Valve (R/V)	1	414401	415113	41	Liner	1	<sup>2</sup> 184405	<sup>2</sup> 185111
5	Capscrews - R/V Cover	6	920331	920331	42	Flange - NPT	2	654401	655112
8	Spring - R/V	1	471423	475135		Flange - Weld		654405	655102
9	Valve - R/V (Std)	1	454405	455129	42A	O-Ring - Flange	2	<sup>1</sup> 702004	<sup>1</sup> 702002
	Valve - R/V (Nickel Plated)		454406	455100	42B	Capscrew - NPT Flange	8	920384	920547
10	O-Ring - R/V Cover	1	<sup>1</sup> 701919	<sup>1</sup> 701925		Capscrew - Weld Flange		920351	920510
12	Casing	1	014405	015127	71	Disc	2	<sup>1</sup> 064412	<sup>1</sup> 065112
13	Rotor & Shaft Assembly - LGL (Includes Ref. Nos. 24A & 24B)	1	<sup>2</sup> 264443	<sup>2</sup> 265149	72	O-Ring - Head	2	<sup>1</sup> 702022	<sup>1</sup> 702041
13A	Rotor & Shaft Assembly - LGL & TLGLD** (Includes Ref. Nos. 24A & 24B)	1	<sup>2</sup> 264445	<sup>2</sup> 265148	73	Gauge Plug	2	908198	908198
					74	Key - Liner***	1	<sup>2</sup> 183991	<sup>2</sup> 185191
14	Vane - Duravane (Std)	6	<sup>1</sup> 091419	<sup>1</sup> 095131	76	Grease Fitting	2	317815	317815
20	Head	2	034416	035128	76A	Grease Relief Fitting	2	701992	701992
21	Capscrews - Head (Size 2)	32	920351	N/A	77	Push Rod	3	<sup>1,3</sup> 23905	<sup>1,3</sup> 125105
	Capscrews - Head (Size 3)	40	N/A	920369	104	Grease Seal	1	<sup>1,3</sup> 331918	<sup>1,3</sup> 331908
24	Ball Bearing	2	<sup>1</sup> 903156	<sup>1</sup> 903172	123A	Dirt Shield	1	<sup>1</sup> 701480	N/A
24A	Locknut - Bearing	2	<sup>2</sup> 903521	<sup>2</sup> 903523	186	Shaft Protector (TLGLD Models Only)	1	341601	341801
24B	Lockwasher - Bearing	2	<sup>1</sup> 903522	<sup>1</sup> 903524	-	Tool - Locknut	-	903091	903091
26	Gasket - Bearing Cover	2	<sup>1</sup> 383940	<sup>1</sup> 385125	-	Kit - Maintenance - LPG (Q0)	-	898920	898921
27	Bearing Cover (Inboard) <sup>3</sup>	1	041431	041815	-	Kit - Maintenance NH3 or Dual Service (QA)	-	898979	898981
27A	Bearing Cover (Outboard) <sup>4</sup>	1	041433	041817	-	Kit - Rebuild - LPG (Q0)	-	899020	899021
28	Capscrews - Bearing Cover	8 - 12	920285	920285	-	Kit - Rebuild NH3 or Dual Service (QA)	-	899079	899081
35	Key - Shaft	1	<sup>1</sup> 909130	<sup>1</sup> 909130	-				

<sup>1</sup> Included in Maintenance Kit and Rebuild Kit   <sup>2</sup> Included in Rebuild Kit   <sup>3</sup> Use Two   <sup>4</sup> Use None   \*\*Double-Ended Rotor & Shaft   \*\*\*Pump Models before 1995 Require Key 184407